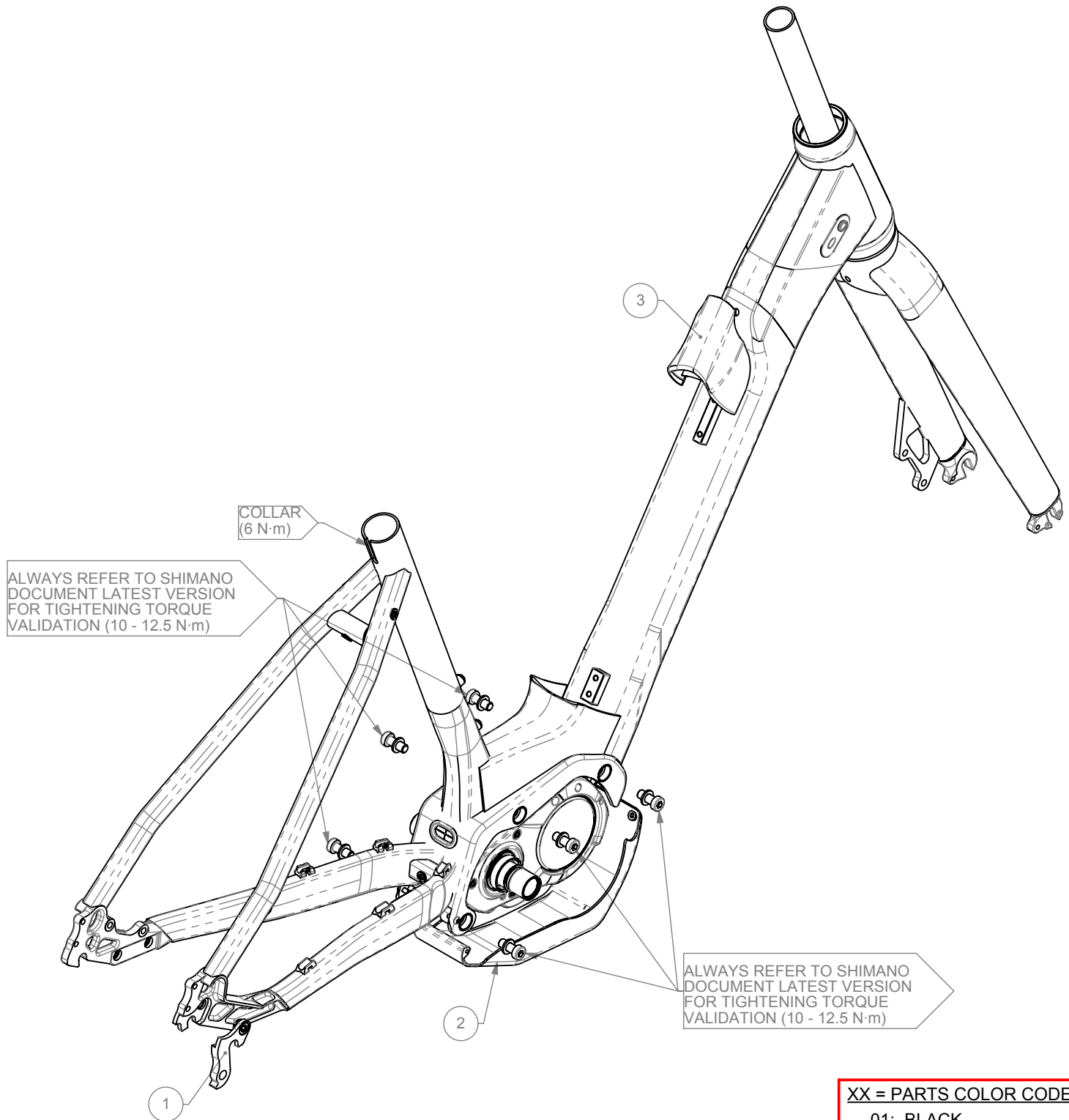


E-GRIFFIN

ITEMS	#SERVICE KIT	DESCRIPTION
1	KFC19048	RD Hanger E-Griffin
2	KFC19049	Plastic motor protector plate E-Griffin
3	KFC19050	Plastic battery junction E-Griffin



XX = PARTS COLOR CODE	
-01:	BLACK
-02:	TITANIUM
-03:	GOLD
-04:	RED
-07:	CHARCOAL